

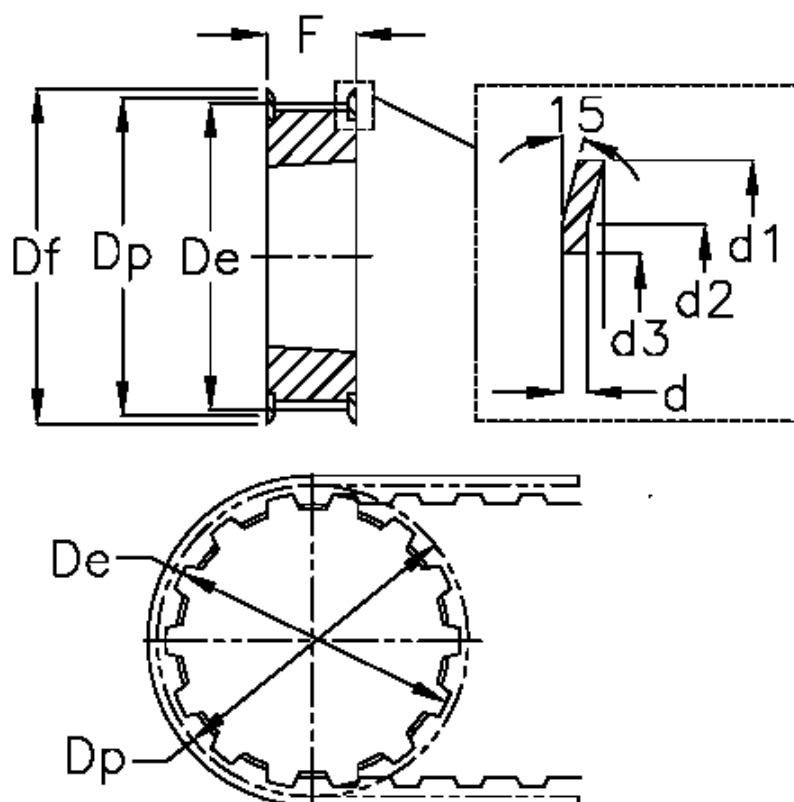
Data Sheet



Article number: 604132040030

Description: Taper bored timing belt pulley
HTD 40 8M 30 TL 1615

Measures



$d = 1.5$	Flange type = F35
$d1 = 106$	For bushing = 1615
$d2 = 101$	Max bore = 42
$d3 = 90$	S = 38
$De = 100.49$	Tooth number = 40
$Df = 106$	Type = 8M
$Dp = 101.86$	Weight = 1.34
$F = 38$	Width = 30